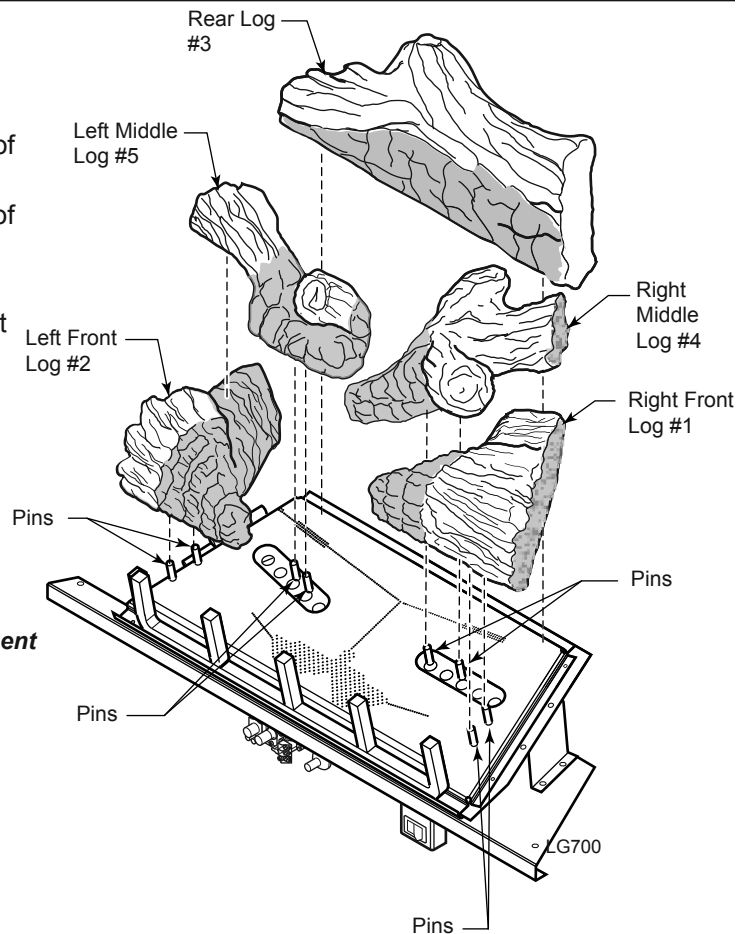
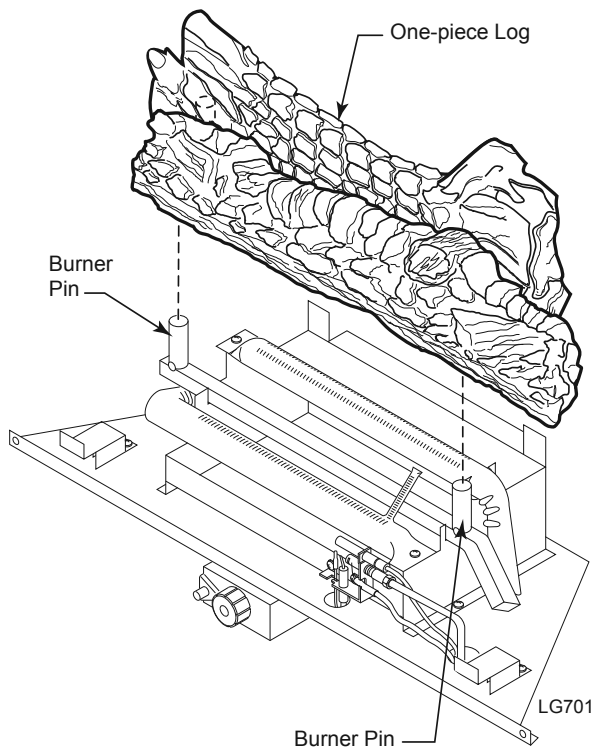


DFX32C LOG PLACEMENT**Figure 19**

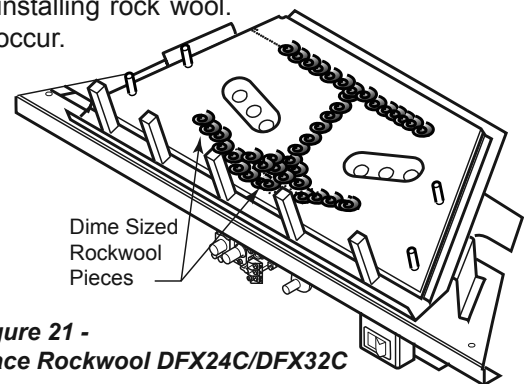
1. Install front right log (#1) on two pins on right side of burner.
2. Install left front log (#2) on two pins on left side of burner.
3. Install back log (#3) on back of burner.
4. Install right middle log (#4) on two pins on burner. Rest right end of right middle log on the right front log.
5. Install left middle log (#5) on two pins on burner. Rest left end of left middle log on left front log.

**Figure 19 -
DFX32C Log Placement****DBX24C LOG PLACEMENT**

Install one-piece log on two burner pins. *Figure 20*

**Figure 20 -
24BDXC Log Placement****PLACE ROCK WOOL****DFX24C and DFX32C MODELS**

After installing logs, pull apart dime-size pieces of rock wool. Sprinkle rock wool evenly over burner ports. Wash hands after installing rock wool. Itching may occur.

**Figure 21 -
Place Rockwool DFX24C/DFX32C****WARNING**

- Use only rock wool provided with log set.
- Do not add additional rock wool.
- Place rock wool on burner ports only.
- Keep air gap between rear log and burner clean.